

产品规格书

PRODUCT SPECIFICATION

PRODUCT—产品: 12VDC感应器 两位拨码MODEL NO—型号: HD028-01VR-3DATE——日期: 2021-12-09PREPARED—编制: 夏勇CHECKED—审核: 陈启东APPROVED—批准: 周蒙

客户确认

CUSTOMER RECEIVED

CUSTOMER—客户: _____

CHECKED—审核: _____

APPROVED—批准: _____

DATE——日期: _____

产品版本变更记录表

版本	变更日期	变更内容	数值
V1.0	2021/07/05	/	5.8GHz±75MHz
V2.0	2021/12/09	微波定频	5.852~5.875GHz



12VDC感应器 两位拨码 12VDC Sensor with 2 DIP Switch

HD028-01VR-3  

- 12VDC输入 •PWM调光 •四种模式功能
- 尺寸小巧,结构百搭 •两位拨码,支持遥控设置
- 12VDC Input •PWM Dimmable •4 Optional Performance Modes •Small Size, One For All •2 DIP Switches, supporting remote control



On/Off Control
开/关功能



Remote Control
遥控设置



Warranty
3年质保

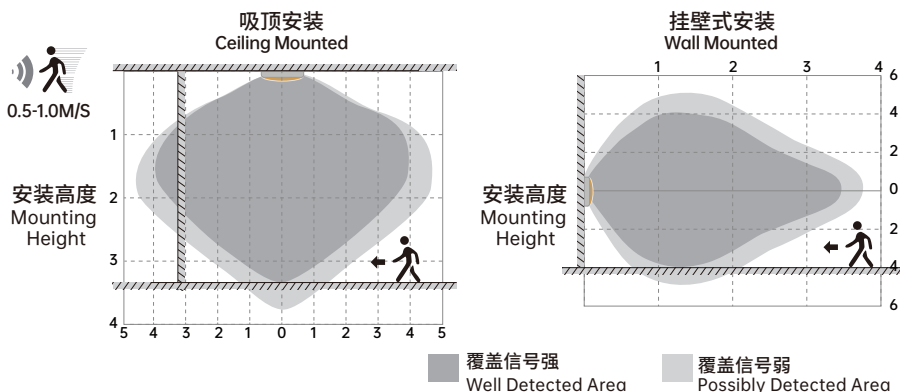
Technical Data 参数规格

工作电压 Operating Voltage DC:7-15V 典型12V 供电电流 50mA DC:7-15V, 12VDC Typical, With Current 50mA	探测角度 Detection Angle 侧面安装<150° 垂直安装360° Side Wall<150° Ceiling Mounted 360°	工作温度 Operating Temperature -40°C~+80°C
工作电流 Operating Current ≤30mA	输出控制方式 Output control mode PWM 输出5V高电平 2KHz PWM output 5V, high level 2kHz	微波频率 Microwave Frequency 5.852~5.875GHz
待机功率 Stand-by power ≤0.5W	功能设置方式 Function setting 遥控器 / 拨码 Remote /DIP Switch	辐射功率 Power ≤0.3mW
连接方式 Connection mode 1.5端子座 1.5mm quick connector	安装高度 Mounting Height 垂直安装≤3.5m Ceiling Mounted≤3.5m	IP等级 IP Rating IP20
探测范围 Detection Range 测试要求: 身高165-180cm,体重55-80kg,移动速度0.5m/s 安装高度为3m,感应距离半径100%: ≥4米 Ceiling mounted on 3M height, distance about 4M radius at 100% detection area		外壳尺寸 Shell Size 78.5*21.5*11mm

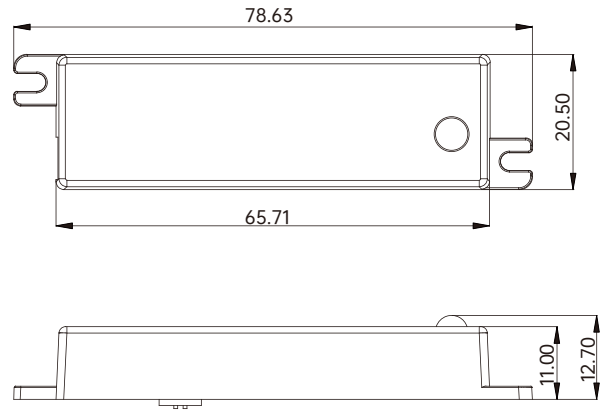
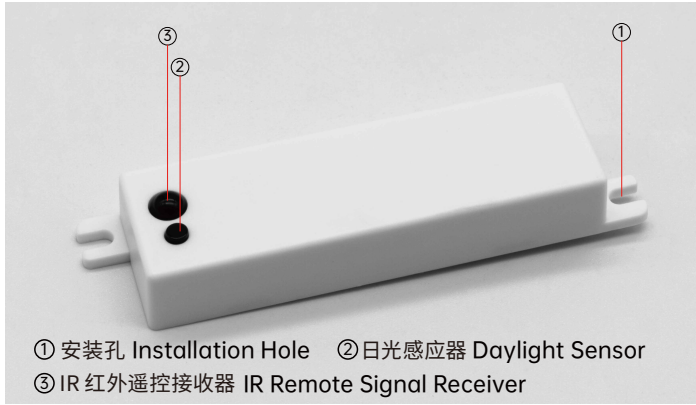
注: 测试的数值与测试的环境和测试人员的身高, 体重及安装灯具有所偏差, 以实际测试的数值为准。
 Note: Different applications and places will make different detection distance, our result is just for your information.

*SENSOR OFF状态下微波信号关断 No Microwave signal transmission in SENSOR OFF Mode.

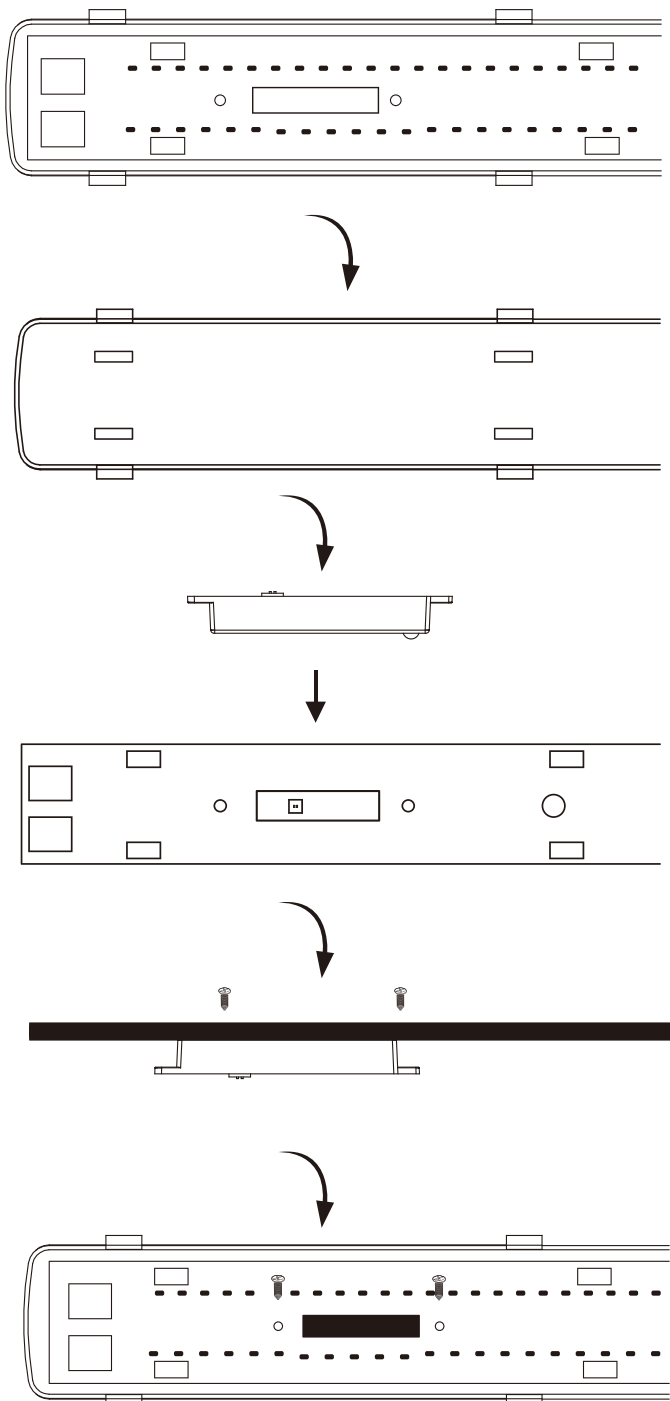
Detection Patterns 探测范围图



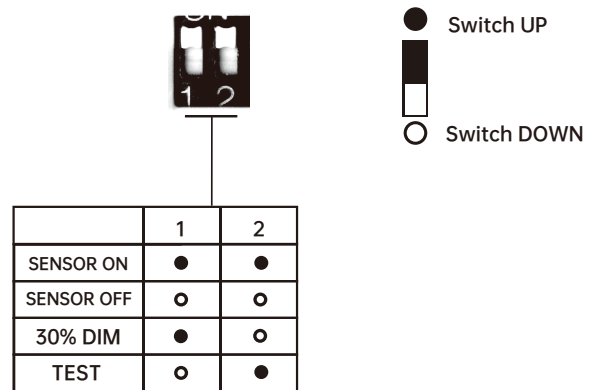
此图表示探测范围为100%时检测距离的参考图。
 Highest mounting height is 3.5m
 This figure indicates the maximum distance at the highest mounting height with 100% sensitivity.



Installation Method 安装方式



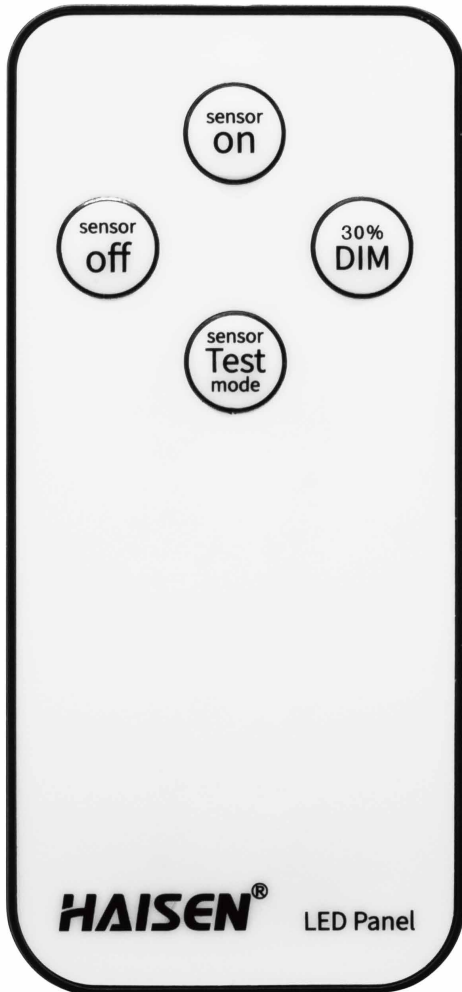
DIP Switch Setting 拨码设置



关于拨码的对应功能, 请参照下页遥控器描述。

Please refer to below remote control instruction in the next page.

遥控功能说明 Remote Control



1. SENSOR ON

上电, 10秒钟热机时间后进入感应; 如果环境光照度高于450lux, 无论是否检测到运动, 灯只亮30%; 如果环境光照度低于450lux, 并且检测到运动, 则灯亮100%; 运动离开后, 进入延时20分钟; 延时完成后进入30%亮度。

2. SENSOR OFF

感应器功能关闭, 不检测人体运动, 灯一直100%常亮。

3. 30% DIM

感应器始终保持灯具亮度为30%。

4. TEST

上电, 10秒钟热机时间后进入测试模式, 即: 检测到感应后即亮灯100%, 仅延时5秒钟。

1. SENSOR ON

When user turns on the sensor the lamp dims to 30%, if the ambient light reaches about 450lux or above and ignores the movements. The lamp turns 100% on if the movement is detected and the ambient light is under 450lux simultaneously, it will dim to 30% as the movement is disappeared and the holdtime 20min counts out.

2. SENSOR OFF

The lamp is not controlled by the sensor, it works as a normal lamp.

3. 30% DIM

The lamp is permanently on at 30%, ignoring motion and daylight activity.

4. TEST

The lamp will be turn 100% on for about 5 seconds if the movement is detected and the ambient light is under 450lux simultaneously. The sensor works in the interval of 2 seconds. This setting is just for testing on production and testing for after installation.



Attention 注意事项

1. Please read the instructions carefully before using this product and keep it well for all users to read at any time.
2. The sensor should be installed by qualified electrician and ensure power is off before the installation.
3. We reserve the right to modify any incorrect text, image and necessary technical parameters.
4. Any unauthorized modification is forbidden, otherwise all guarantees will be immediately invalid.

- 1、使用本产品前请仔细阅读使用说明，并妥善保管以便所有使用者随时参阅。
- 2、感应器应由专业的电工安装，并确保在安装前，切断电源。
- 3、我们将保留对任何错误文字或图像以及必要的技术参数做出修改的权利。
- 4、未经授权不得擅自修改感应器，否则一切签约保证将立即失效。

Installation precautions 安装注意事项

1. Microwave sensor can be installed in any lamp except the one with full metal shell.
2. The detected surface cannot be shielded by metal objects.
3. Make sure the microwave module is completely exposed outside.
4. The detection surface of the sensor module shall be installed facing the detection area.
5. Should be kept away from the driver to avoid interference generation and lamp flashing.
6. Wiring must be strictly in accordance with the wiring diagram to avoid short circuit.

- 1、除全金属壳灯具外，微波感应器可内置安装在其它任意灯具内。
- 2、微波感应面不能有金属物体遮挡。
- 3、开孔安装时，确保微波模块应完全裸露在外，否则会导致灯常亮或不灭。
- 4、感应模组探测面应面对检测区安装，否则会导致无感应或灯常亮。
- 5、应与驱动保持距离，否则会产生干扰，导致灯闪。
- 6、须严格按照接线图接线，否则会导致感应器短路。

Application Environment 应用环境

1. Suitable for indoor installation to avoid false triggering due to external factors such as rain, wind or tree swing.
2. Shall not be installed in the place with all four metal shelters and small space (such as galvanized-iron roof).
3. Shall note be mounted installation, so as to avoid false trigger caused by the lamp itself shaking.
4. Shall not be installed next to large operating machines such as ventilator/ceiling fan to avoid false triggering caused by machine vibration.

- 1.适用于室内安装，以免外界因素如下雨、刮风或树木摆动而误触发微波感应器。
- 2.避免安装在四面都有金属遮挡物，且空间狭小的地方（如铁皮房），以免造成灯常亮等自激现象。
- 3.避免悬挂式安装，以免灯具自身摇晃引起的误触发。
- 4.避免安装在大型运作的机器旁（如抽风机/吊扇），以免机器震动引起误触发。

User Notes 用户须知

1. Microwave can penetrate walls or glass thinner than <20mm and attenuate if thicker than <20mm.
2. The driver voltage shall be stable and float within 10%.
3. Detection area will be affected by speed of motion, mounting height and movement volume.
4. Conduct test on sunny days without the lampshade which will affect the tested lux value.

- 1.除金属外，微波可穿透墙壁或玻璃（<20mm），但会有衰减。
- 2.驱动电压需稳定，不能超出或低于工作电压 ±10%
- 3.微波感应器会受安装环境、灯具、测试人员身形和速度的影响，探测范围会有所差异。
- 4.测试所得的 Lux 值会受灯具安装方式和灯罩材料的影响，建议在没有灯罩的晴天进行测试。